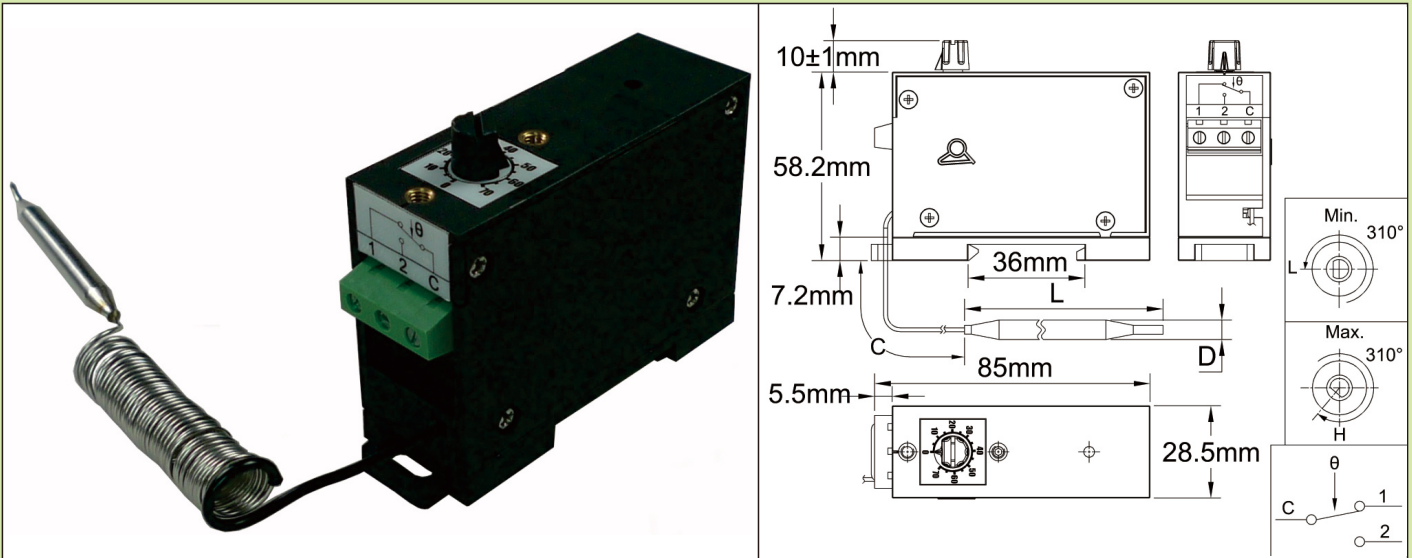


# Types KO-V

## Single pole control thermostat, bulb and capillary, DIN rail mounting



**Housing dimensions:** 85 x 58.2 x 28.5mm (Knob not included)

**Bulb and capillary:** Copper or stainless steel depending of temperature range, standard capillary length 1500 mm. Capillary minimum bending radius 5mm.

**Temperature sensing element:** Liquid filled bulb and capillary.

**Terminals:** 3 way screw terminal

**Adjustment:** Dia. 6 mm shaft with 4.6 mm flat, length 10mm, equipped with miniature knob and printed dial.

**Mounting:** on 35mm DIN rail, upon EN500022

**Rating:** 16A (1/4 HP) 250VAC, 16A 400V res.

**Contacts:** SPDT (snap action contact)

**Electrical life:** >100,000 cycles at nominal rating

### Main references

References with standard differential	Temperature range (°C/°F)	Capillary length (mm)	Bulb diameter(mm)	Bulb length(mm)	Differential(°C/°F)	Max temperature on bulb (°C/°F)
KOA-25025220V	-25+25°C (-15+80°F)	1500	6.4	152	3±2°C (5.5±3.6 °F)	50°C (120°F)
KOA-10015220V	-10+15°C (15-60°F)	1500	6.4	152	3±2°C (5.5±3.6 °F)	50°C (120°F)
KOA000050200V	0-50°C (32-120°F)	1500	6.4	152	3±2°C (5.5±3.6 °F)	60°C (140°F)
KOA000070520V	0-70°C (32-160°F)	1500	4.8	130	5±3°C (9±5.4 °F)	160°C (320°F)
KOA000070120V	0-70°C (32-160°F)	3000	4.8	130	5±3°C (9±5.4 °F)	160°C (320°F)
KOA020090500V	20-90°C (70-195°F)	1500	4.8	130	5±3°C (9±5.4 °F)	160°C (320°F)
KOA020090100V	20-90°C (70-195°F)	3000	4.8	130	5±3°C (9±5.4 °F)	160°C (320°F)
KOA010150500V	10-150°C (50-300°F)	1500	4.8	130	5±3°C (9±5.4 °F)	160°C (320°F)
KOA010150100V	10-150°C (50-300°F)	3000	4.8	130	5±3°C (9±5.4 °F)	160°C (320°F)
KOA080200000V	80-200°C (175-390°F)	1500	4	100	10±4°C (18±7°F)	320°C (610°F)
KOA050300000V	50-300°C (120-570°F)	1500	4	100	10±4°C (18±7°F)	320°C (610°F)
KOA010450720V	10-450°C (50-840°F)	1500	4.8	120	20±6°C (36±11°F)	760°C (1400°F)
KOA010450920V	10-450°C (50-840°F)	3000	4.8	120	20±6°C (36±11°F)	760°C (1400°F)
KOA060500700V	60-500°C (140-930°F)	1500	4.8	120	20±6°C (36±11°F)	760°C (1400°F)
KOA060500900V	60-500°C (140-930°F)	3000	4.8	120	20±6°C (36±11°F)	760°C (1400°F)
KOA180600700V	180-600°C (360-1110°F)	1500	4.8	120	20±6°C (36±11°F)	760°C (1400°F)
KOA180600900V	180-600°C (360-1110°F)	3000	4.8	120	20±6°C (36±11°F)	760°C (1400°F)
KOA280700700V	280-700°C (540-1290°F)	1500	3	300	20±6°C (36±11°F)	760°C (1400°F)

Caution: Bulbs and capillaries of ranges above 400°C are filled with sodium potassium eutectic. If they leak or are broken, this liquid will ignite if in contact with water.